

MAKING BUILDINGS BREATHE

Senser

ver. 1.2

Intelligence by
entos

Entos history



1987



Raimo Pohjalainen changes from the business name of the HVAC Foundation, which he founded in 1977, to a limited company



2004



Aki Pohjalainen buys his father's company

2009 The name of the company changes to ENTOS Energiatekniikan optimisäättö Oy



2015



Development work on the TopAir product for ventilation begins



2022



over 700 Topair devices delivered and installed in Finland

Development work on the Senser product.

Making to Buildings Breathe

... when it needs

Uses **smart** algorithms to adapt the ventilation
by learning from data collected by

Senser™

- Senser™ CLOUD PLATFORM
- Senser™ FOR ROOFTOP FANS
- Senser™ FOR AIR HANDLING UNIT

for detailed information please contact us
www.senserinnovations.com | sales@entos.fi



Senser AHU / BASE
CO₂, VOCs, °C, RH, P
Fire detector



Senser OPTIMIZING
Intelligent algorithms



Senser Live CLOUD
Senser user interface UI
Senser reporting



OPEN CONNECTIVITY
ModBus, Bacnet

Optimise Buildings Breathe ... **when it needs**

- A safe way to make automated ventilation
- Create living comfort:
 - adapts to the rhythm of life
 - avoids the feeling of cold in the winter
 - ventilates in night time cooling during summer
- Changes the the energy economy
 - return on investment 12-18 months
 - saves heating energy 8-17%
 - saves cooling energy 20-39%



Senser AHU / BASE
CO₂, VOCs, °C, RH, P
Fire detector



Senser OPTIMIZING
Intelligent algorithms



Senser Live CLOUD
Senser user interface UI
Senser reporting



OPEN CONNECTIVITY
ModBus, Bacnet

Setting up to Buildings Breathe ... **when it needs**

- Easy to add learning to the building
 - fast and straight installation
 - features immediately available
 - learning within 2 weeks from installation
- To comply to future demand
 - suitable for all energy repairs
 - can be connected to all building automation systems
 - hybrid renovation: heating, ventilation renovation
- How to get started
 - Information: location, ventilation documents, indoor volume



Senser AHU / BASE
CO₂, VOCs, °C, RH, P
Fire detector



Senser OPTIMIZING
Intelligent algorithms



Senser Live CLOUD
Senser user interface UI
Senser reporting



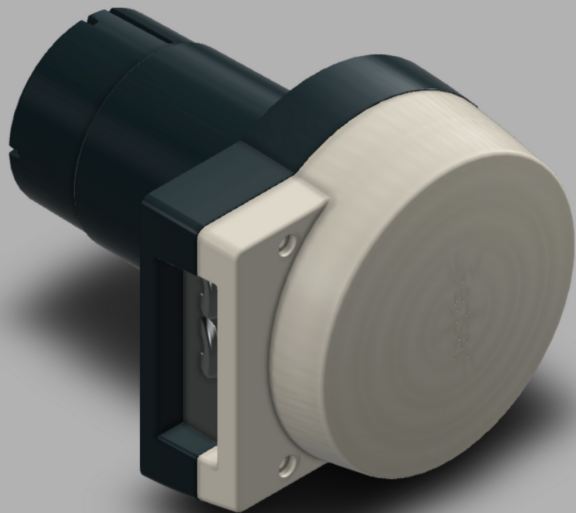
OPEN CONNECTIVITY
ModBus, Bacnet

MAKING BUILDINGS BREATHE

Datasheet

Intelligence by
entos

SENSOR



MAIN SPECS

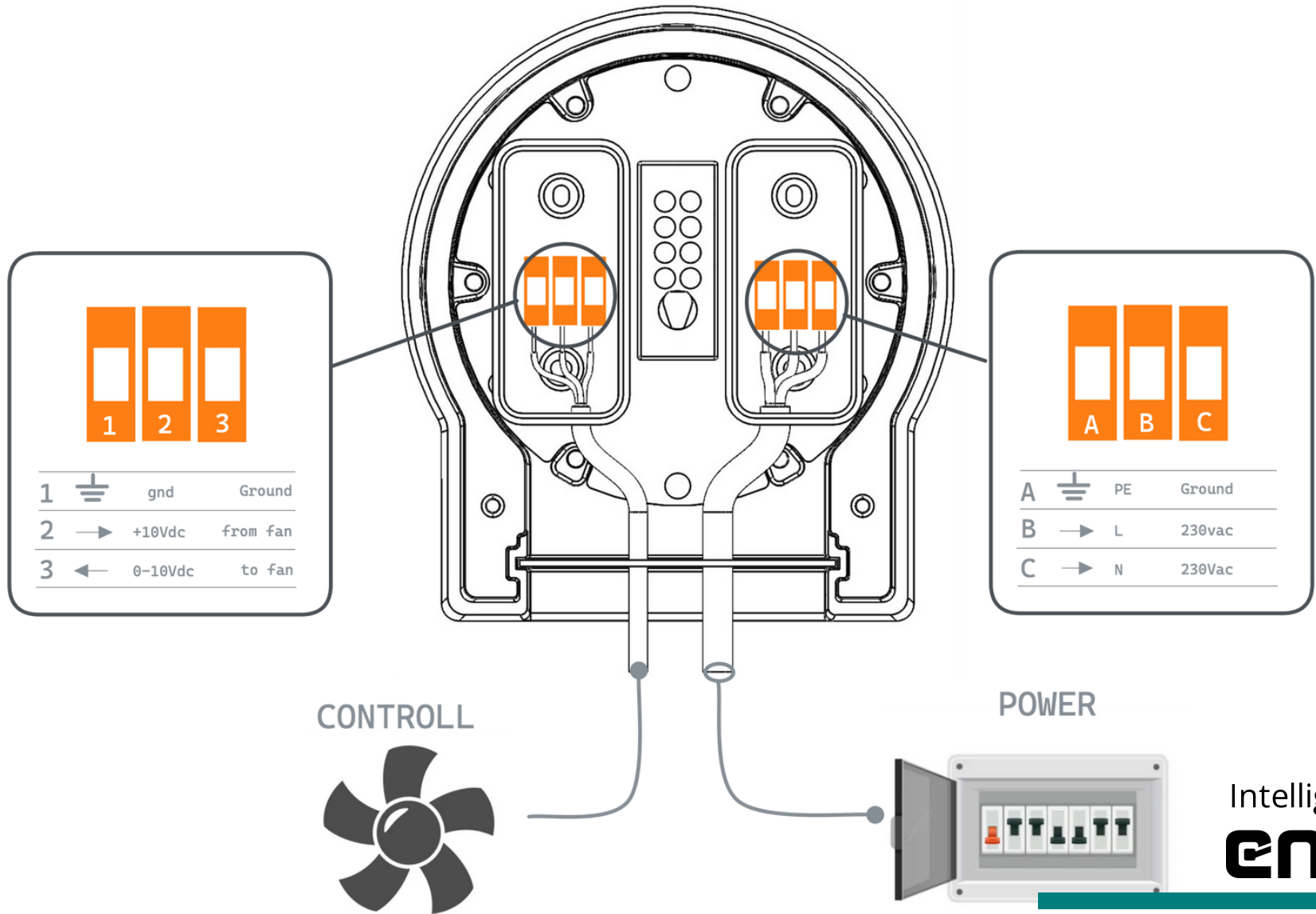
Voltage / Power / Hz	90 - 264 Vac / 8W / Hz47-63Hz
IP class	4x
Dimension (d) (w) (h)	d=230mm w=170mm h=200mm
Weight	0,5 Kg
Working temp.	-34 ... +85 c
Working humidity	20 ... 95% RH
Operating conditions of humidity compensation	-10c...+50c / 0...90% RH
Storage Temp. / humidity	-40c...+90c / 10...95% RH
Varastointi lämp. / kost.	-40c...+90c / 10...95% RH

DATA / MODEM

RAT	LTE Cat M1/Cat NB1/EGPRS
Frequency (MHz)	LTE-FDD: B1/2/3/4/5/8/12/13/18/19/20/26*/28; EGPRS: 850/900/1800/1900MHz
Sertificates	Vodafone/Deutsche Telekom/Telefónica/ Verizon/AT&T/ T-Mobile/Telus/Rogers/ SKT/ LGU+NTT DOCOMO/SoftBank/ KDDI/ Telstra/ GCF/CE/FCC/PTCRB/IC/IFETEL /CCC/KC/ NCC/JATE/ TELECOM/RCM/NBTC/IMDA/ ICASA/U.S._Cellular

MEASUREMENT

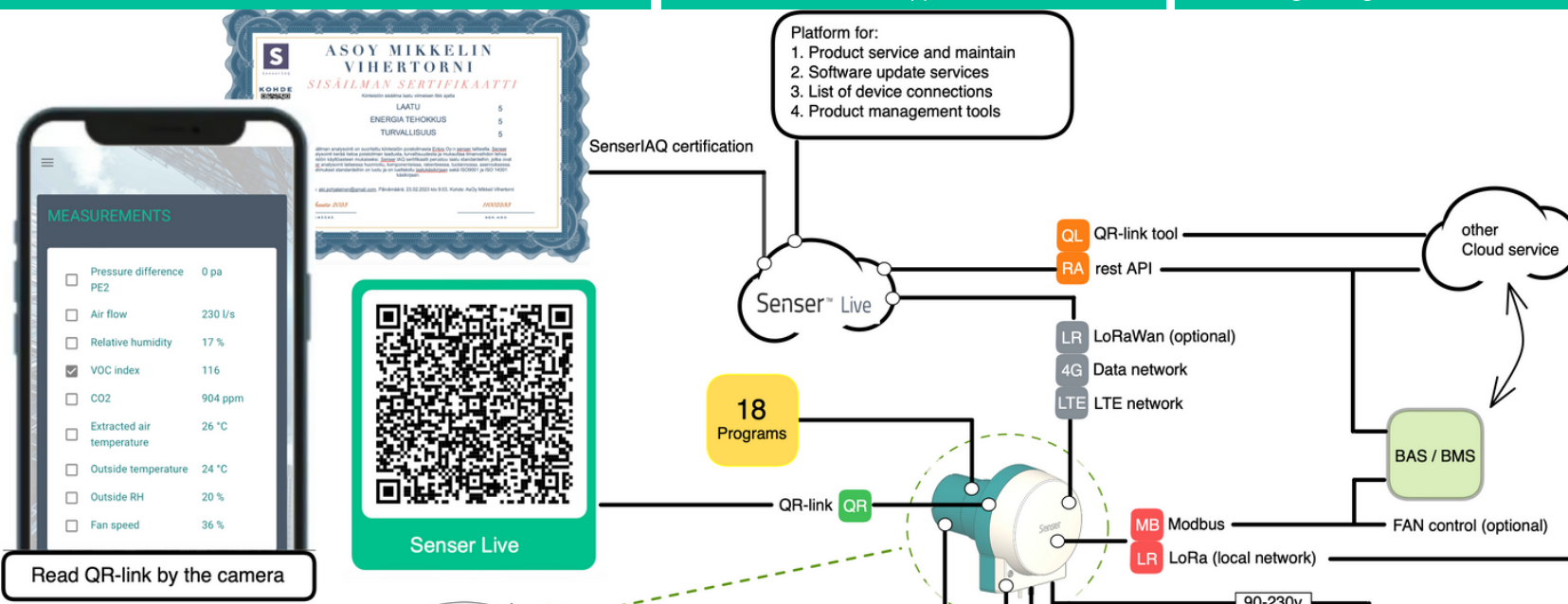
Voc	0...1000ppm
Co2	0...1000ppm
Me humidity element	0...100 %RH
Te temperature element	-40...+70c
Nox	0...500ppm
Pe Pressure element	0...2500Pa (250/500/1000/2500)
Te Outside temperature	-40...+80c (Acc.+0.5c /res.0.1c)
Me Outside humidity	0...99.9%RH (Acc. +3 / res.o.1)
NO2	Optional
O3	Optional



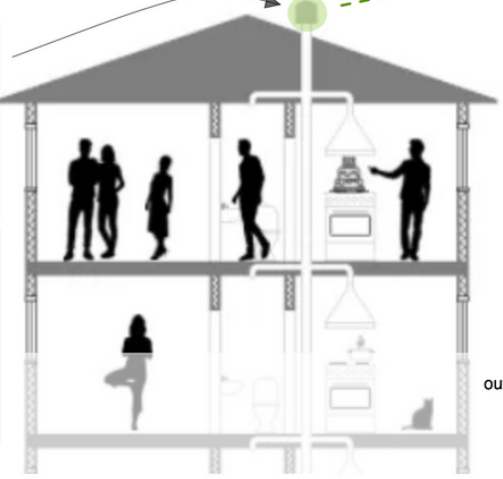
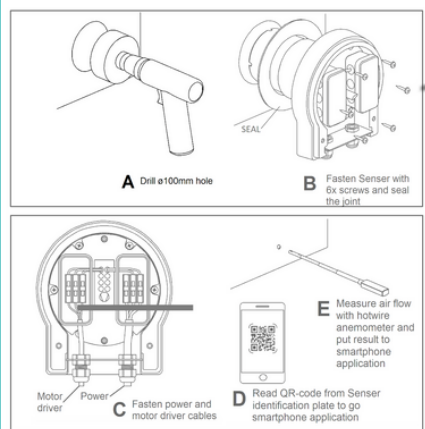
MAKING BUILDINGS BREATHE

Connections

Intelligence by
entos



Read QR-link by the camera



- temperature (c) **TE**
- relative humidity (%) **RH**
- pressure (Pa) **PE**
- VOC (ppm) **VO**
- Co2 (ppm) **CO**
- NOx (ppm) **NO**
- outside temperature (c) **TE**
- outside relative humidity (%) **RH**
- AO** 4 x analog out
- DO** 4 x digital out
- AI** 2 x analog in
- DI** 4 x digital in

8

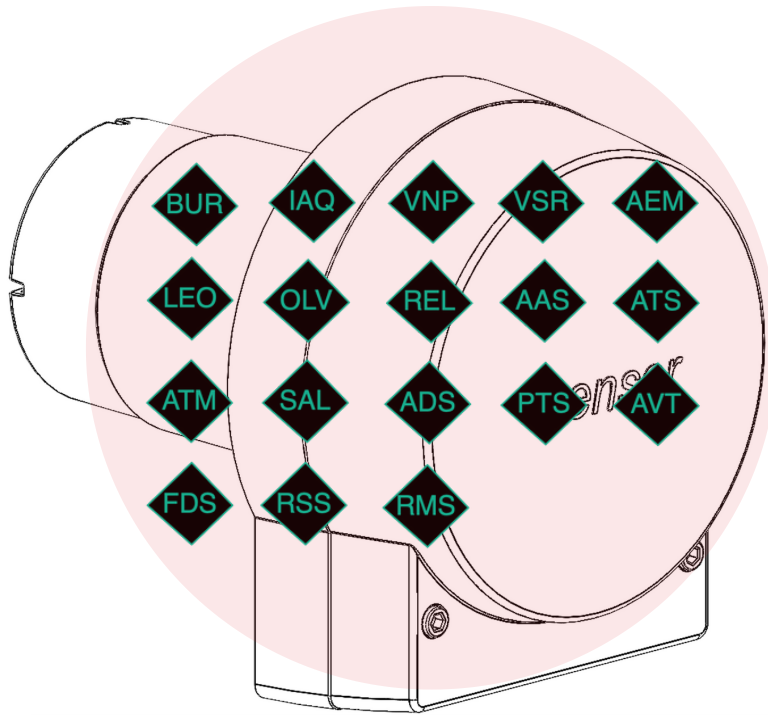
14

60

product features

Senser™

18
programmed
functions is
already to
made in
device

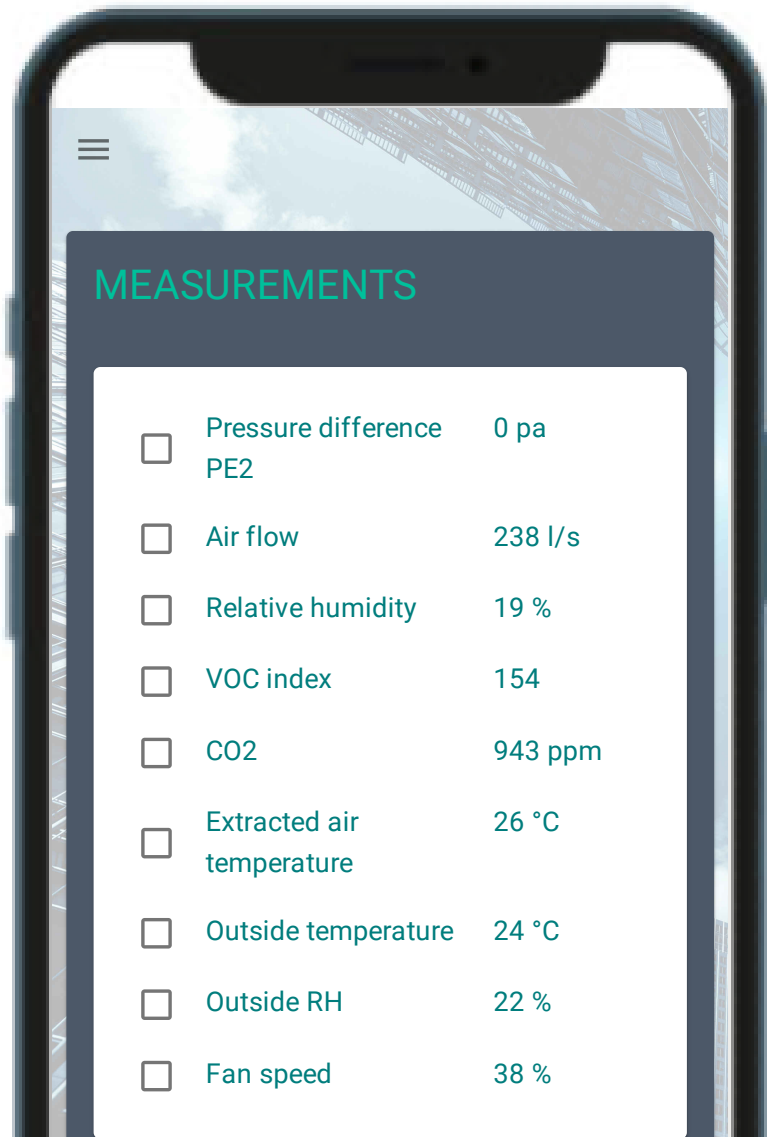


Rakennuksen Käyttöaste BUR Building Usage rate
Sisäilman laatu IAQ Indoor air quality
yö tuuletus VNP ventilation night power
ilmanvaihdon äänen vaimennus VSR ventilation sound reduction
Energia mittarointi(AEM) Active Energy Monitoring
Oppiva ilmanvaihto(LEO) Learning Optimization
Toiminta raja-arvot(OLV) Operating Limit Values
Reagoinnin liukuma (REL) Reaction Lag
Aktiivinen ennakoiva huolto (AAS) Active Anticipatory Service
Aktiivinen seuranta (ATS) Active Tracking System
Aktiivinen valvonta (ATM) Active Tracking Management System
Hälytysrajat (SAL) Safety Alarm Limits
Ennakoiva huolto (ADS) Advance Service Support
Paine valvonta (PTS) Pressure Tracking System
Ilmämäärän valvonta (AVT) Air Value Tracking System
Tulipalon valvonta (FDS) Fire Dedector System
Etähuollettavuus (RSS) Remote Service System
Etäseuranta (RMS) Remote Management System

Intelligence by
entos

MAKING BUILDINGS BREATHE

User interface



MEASUREMENTS

<input type="checkbox"/>	Pressure difference PE2	0 pa
<input type="checkbox"/>	Air flow	238 l/s
<input type="checkbox"/>	Relative humidity	19 %
<input type="checkbox"/>	VOC index	154
<input type="checkbox"/>	CO2	943 ppm
<input type="checkbox"/>	Extracted air temperature	26 °C
<input type="checkbox"/>	Outside temperature	24 °C
<input type="checkbox"/>	Outside RH	22 %
<input type="checkbox"/>	Fan speed	38 %



User interface

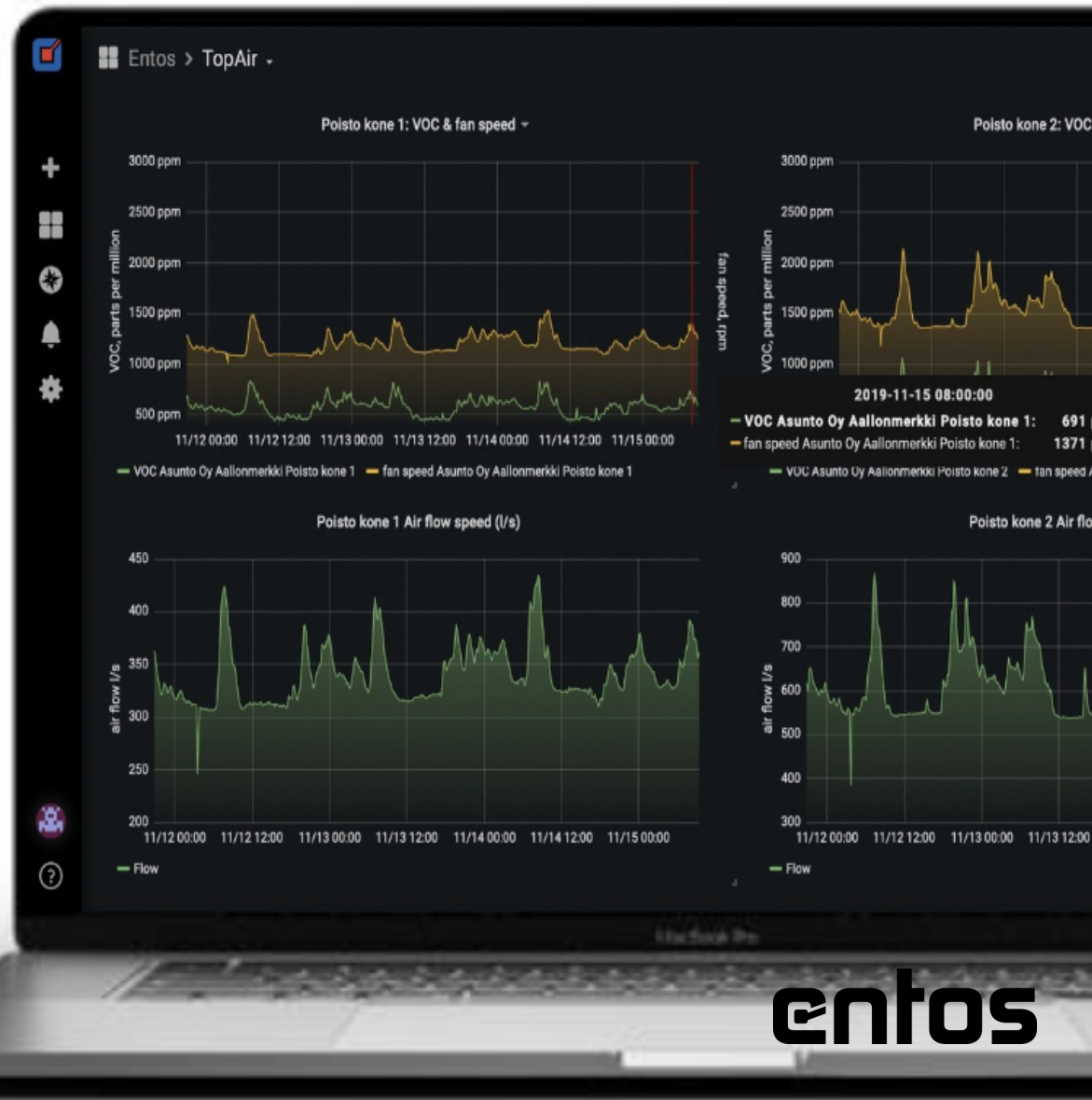
- scan QR-code by phone
- ready to use
- safe https-connection
- setup values is protected with password

Sharing Information

All measured and control data is collected and visualized in our cloud platform.

The data can be shared to any 3rd party system via REST-API.

Firmware updates, system adjustments and service operations are executed remotely via cloud interface.



Thank you!

Senser™

Air Management for
Smarter Environments

Entos Oy
Jääkäritie 9
50150 Mikkeli
FINLAND

